

## COMBINED SLICER - CUTTER TRK1

| PNC    | MODEL     | REF              | DESCRIPTION   | NOTE |
|--------|-----------|------------------|---|------|
| 600974 | DCOM26    | <b>A;D;H;J</b>   | Combined vegetable slicer/cutter 2.6lt stainless steel bowl                               |      |
| 600975 | DCOM26D   | <b>A;D;H;J;L</b> | Combined vegetable slicer/cutter 2.6lt stainless steel bowl, 3 disc set                   |      |
| 600976 | DCOM26P   | <b>A;D;H;I</b>   | Combined vegetable slicer/cutter 2.6lt plastic bowl                                       |      |
| 600977 | DCOM26PD  | <b>A;D;H;I;L</b> | Combined vegetable slicer/cutter 2.6lt plastic bowl, 3 disc set                           |      |
| 600978 | DCOM26G   | <b>A;D;H;J;L</b> | Combined vegetable slicer/cutter 2.6lt stainless steel bowl UK, 3 disc set                |      |
| 600979 | DCOM26VS  | <b>A;G;H;J</b>   | Combined vegetable slicer/cutter 2.6lt stainless steel bowl variable speed                |      |
| 600980 | DCOM26VSG | <b>A;G;H;J</b>   | Combined vegetable slicer/cutter 2.6lt stainless steel bowl variable speed UK             |      |
| 602152 | COM26     | <b>B;D;H;J;L</b> | Combined vegetable slicer/cutter 2.6lt stainless steel bowl, 3 disc set                   |      |
| 602153 | COM26P    | <b>C;D;H;I;L</b> | Combined vegetable slicer/cutter 2.6lt plastic bowl, 3 disc set                           |      |
| 602154 | COM26AU   | <b>B;D;H;J;L</b> | Combined vegetable slicer/cutter 2.6lt stainless steel bowl, 3 disc set AUS               |      |
| 602155 | COM26G    | <b>B;D;H;J;L</b> | Combined vegetable slicer/cutter 2.6lt stainless steel bowl, 3 disc set UK                |      |
| 602156 | COM26PUS  | <b>C;E;H;I;M</b> | Combined vegetable slicer/cutter 2.6lt plastic bowl, 2 disc set USA                       |      |
| 602157 | COM26US   | <b>B;F;H;J;M</b> | Combined vegetable slicer/cutter 2.6lt stainless steel bowl, 2 disc set USA               |      |
| 602158 | COM26VS   | <b>B;G;H;J;L</b> | Combined vegetable slicer/cutter 2.6lt stainless steel bowl, 3 disc set variable speed    |      |
| 602159 | COM26VSG  | <b>B;G;H;J;L</b> | Combined vegetable slicer/cutter 2.6lt stainless steel bowl, 3 disc set variable speed UK |      |
| 600981 | DCOM36    | <b>A;D;H;K</b>   | Combined vegetable slicer/cutter 3.6lt stainless steel bowl                               |      |
| 600982 | DCOM36D   | <b>A;D;H;K;L</b> | Combined vegetable slicer/cutter 3.6lt stainless steel bowl, 3 disc set                   |      |
| 600983 | DCOM36G   | <b>A;D;H;K;L</b> | Combined vegetable slicer/cutter 3.6lt stainless steel bowl UK, 3 disc set                |      |
| 600984 | DCOM36VS  | <b>A;G;H;K</b>   | Combined vegetable slicer/cutter 3.6lt stainless steel bowl variable speed                |      |
| 600985 | DCOM36VSG | <b>A;G;H;K</b>   | Combined vegetable slicer/cutter 3.6lt stainless steel bowl variable speed UK             |      |
| 602160 | COM36     | <b>B;D;H;K</b>   | Combined vegetable slicer/cutter 3.6lt stainless steel bowl                               |      |
| 602161 | COM36US   | <b>B;F;H;K;M</b> | Combined vegetable slicer/cutter 3.6lt stainless steel bowl, 2 disc set USA               |      |
| 602162 | COM36G    | <b>B;D;H;K</b>   | Combined vegetable slicer/cutter 3.6lt stainless steel bowl UK                            |      |
| 602163 | COM36AU   | <b>B;D;H;K</b>   | Combined vegetable slicer/cutter 3.6lt stainless steel bowl AUS                           |      |
| 602164 | COM36VS   | <b>B;G;H;K</b>   | Combined vegetable slicer/cutter 3.6lt stainless steel bowl variable speed                |      |
| 602165 | COM36VSG  | <b>B;G;H;K</b>   | Combined vegetable slicer/cutter 3.6lt stainless steel bowl variable speed UK             |      |
|        |           |                  |   |      |
|        |           |                  |   |      |
|        |           |                  |   |      |
|        |           |                  |   |      |
|        |           |                  |   |      |
|        |           |                  |   |      |
|        |           |                  |   |      |
|        |           |                  |   |      |
|        |           |                  |   |      |
|        |           |                  |   |      |
|        |           |                  |   |      |

**COMBINED SLICER - CUTTER TRK1**

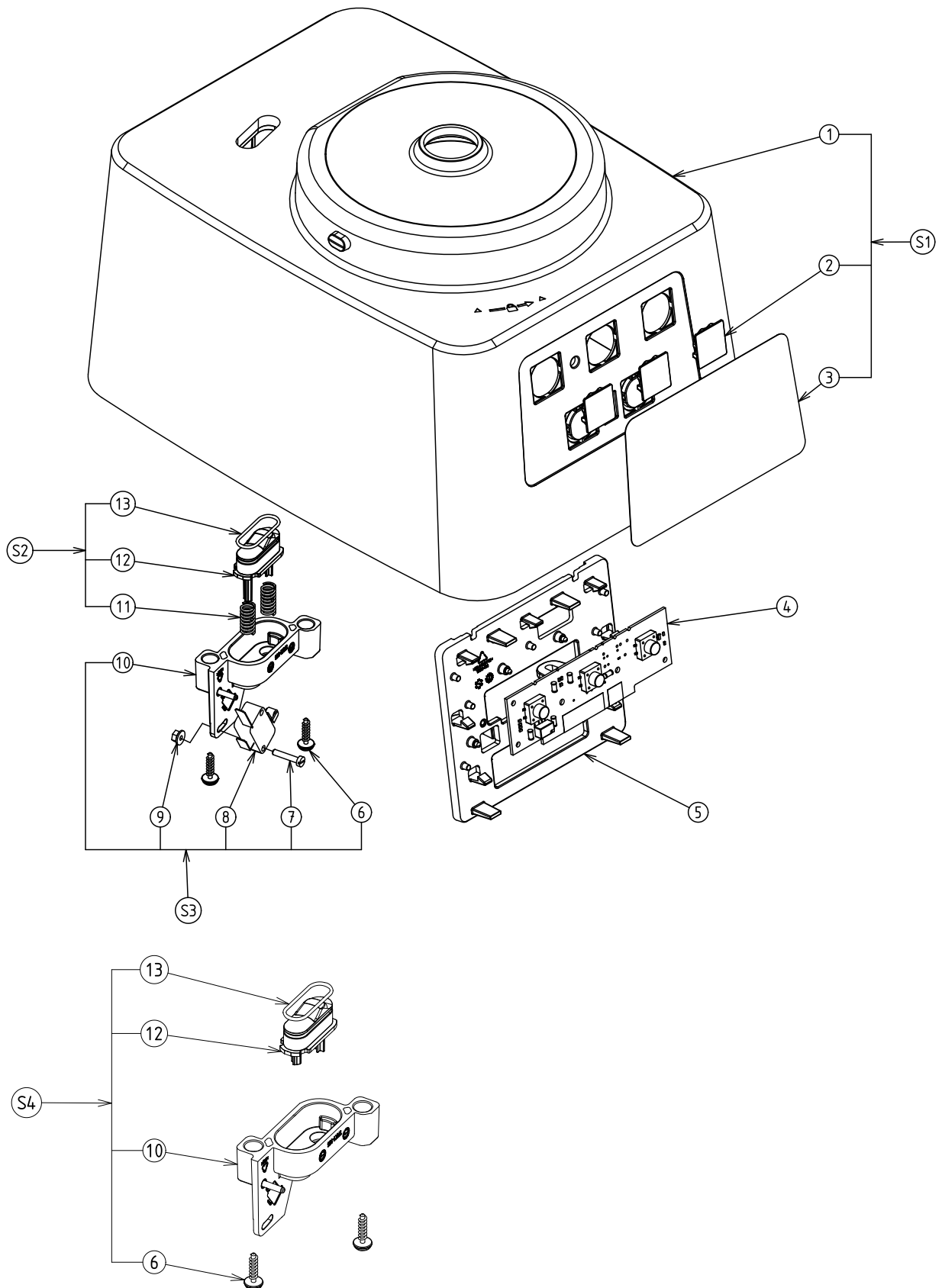
| PNC    | MODEL   | REF          | DESCRIPTION   | NOTE |
|--------|---------|--------------|---|------|
| 600959 | K26     | <b>A;D;J</b> | Cutter mixer 2.6lt stainless steel bowl                   |      |
| 600960 | K26P    | <b>A;D;I</b> | Cutter mixer 2.6lt plastic bowl                           |      |
| 600961 | DK26G   | <b>A;D;J</b> | Cutter mixer 2.6lt stainless steel bowl UK                |      |
| 600962 | DK26VS  | <b>A;G;J</b> | Cutter mixer 2.6lt stainless steel bowl variable speed    |      |
| 600963 | DK26VSG | <b>A;G;J</b> | Cutter mixer 2.6lt stainless steel bowl variable speed UK |      |
| 600986 | K26     | <b>B;D;J</b> | Cutter mixer 2.6lt stainless steel bowl                   |      |
| 600987 | K26P    | <b>C;D;I</b> | Cutter mixer 2.6lt plastic bowl                           |      |
| 600988 | K26AU   | <b>B;D;J</b> | Cutter mixer 2.6lt stainless steel bowl AUS               |      |
| 600989 | K26G    | <b>B;D;J</b> | Cutter mixer 2.6lt stainless steel bowl variable speed UK |      |
| 600990 | K26US   | <b>B;E;J</b> | Cutter mixer 2.6lt stainless steel bowl USA               |      |
| 600991 | K26PUS  | <b>C;E;I</b> | Cutter mixer 2.6lt plastic bowl USA                       |      |
| 600992 | K26VS   | <b>B;G;J</b> | Cutter mixer 2.6lt stainless steel bowl variable speed    |      |
| 600993 | K26VSG  | <b>B;G;J</b> | Cutter mixer 2.6lt stainless steel bowl UK                |      |
| 600965 | DK36    | <b>A;D;K</b> | Cutter mixer 3.6lt stainless steel bowl                   |      |
| 600966 | DK36G   | <b>A;D;K</b> | Cutter mixer 3.6lt stainless steel bowl UK                |      |
| 600967 | DK36VS  | <b>A;G;K</b> | Cutter mixer 3.6lt stainless steel bowl variable speed    |      |
| 600968 | DK36VSG | <b>A;G;K</b> | Cutter mixer 3.6lt stainless steel bowl variable speed UK |      |
| 600996 | K36     | <b>B;D;K</b> | Cutter mixer 3.6lt stainless steel bowl                   |      |
| 600997 | K36AU   | <b>B;D;K</b> | Cutter mixer 3.6lt stainless steel bowl AUS               |      |
| 600998 | K36G    | <b>B;D;K</b> | Cutter mixer 3.6lt stainless steel bowl UK                |      |
| 600999 | K36US   | <b>B;F;K</b> | Cutter mixer 3.6lt stainless steel bowl USA               |      |
| 602143 | K36V    | <b>B;G;K</b> | Cutter mixer 3.6lt stainless steel bowl variable speed    |      |
| 602144 | K36VSG  | <b>B;G;K</b> | Cutter mixer 3.6lt variable speed UK                      |      |
|        |         |              |   |      |
|        |         |              |   |      |
|        |         |              |   |      |
|        |         |              |   |      |
|        |         |              |   |      |
|        |         |              |   |      |



**COMBINED SLICER - CUTTER TRK1**

|          |   |
|----------|---|
| <b>A</b> | Brand DITO SAMA                                     |
| <b>B</b> | Brand ELECTROLUX Professional metallic painted base |
| <b>C</b> | Brand ELECTROLUX Professional dark grey motor base  |
| <b>D</b> | 1 Speed 220-240V 50HZ                               |
| <b>E</b> | 1 Speed 115V 60HZ 750W                              |
| <b>F</b> | 1 Speed 115V 60HZ 1000W                             |
| <b>G</b> | Variable speed 220-240V 50/60HZ                     |
| <b>H</b> | Vegetable slicer                                    |
| <b>I</b> | 2.6lt plastic cutter mixer bowl                     |
| <b>J</b> | 2.6lt stainless steel cutter mixer bowl             |
| <b>K</b> | 3.6lt stainless steel cutter mixer bowl             |
| <b>L</b> | 3 disc set  |
| <b>M</b> | 2 disc set  |
|          |   |

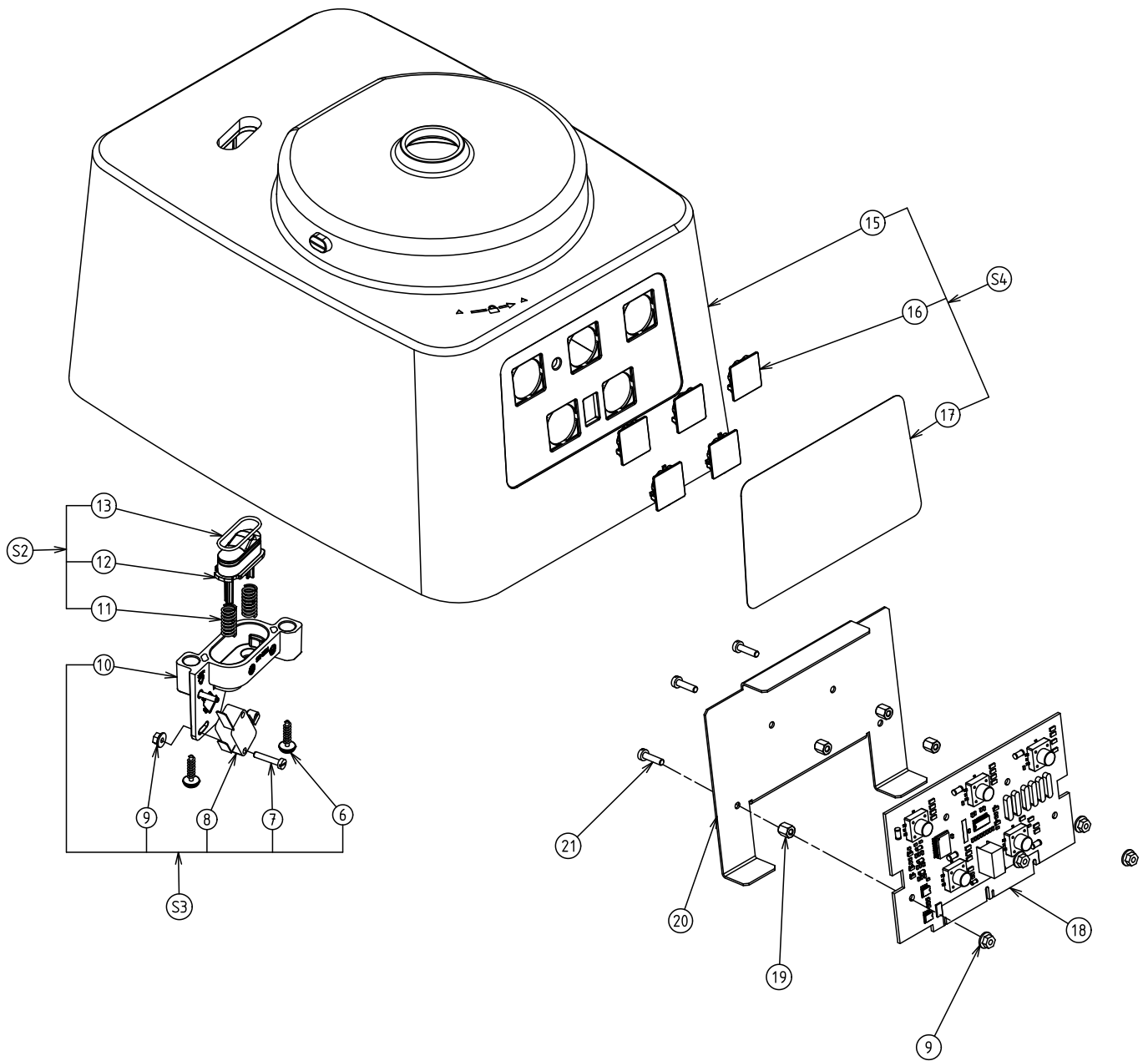
| <b>Pag.</b> | <b>Index</b>                   |
|-------------|--------------------------------|
| 5           | body unit 1 speed              |
| 7           | body unit variable speed       |
| 9           | base unit                      |
| 11          | motor 1 speed                  |
| 13          | motor variable speed           |
| 15          | electrical part 1 speed        |
| 17          | electrical part variable speed |
| 19          | hopper                         |
| 21          | plastic bowl 2.6l              |
| 23          | inox bowl 2.6l                 |
| 25          | inox bowl 3.6l                 |
| 27,28,29    | electrical diagram             |



## NOMENCLATURE - PARTS LIST

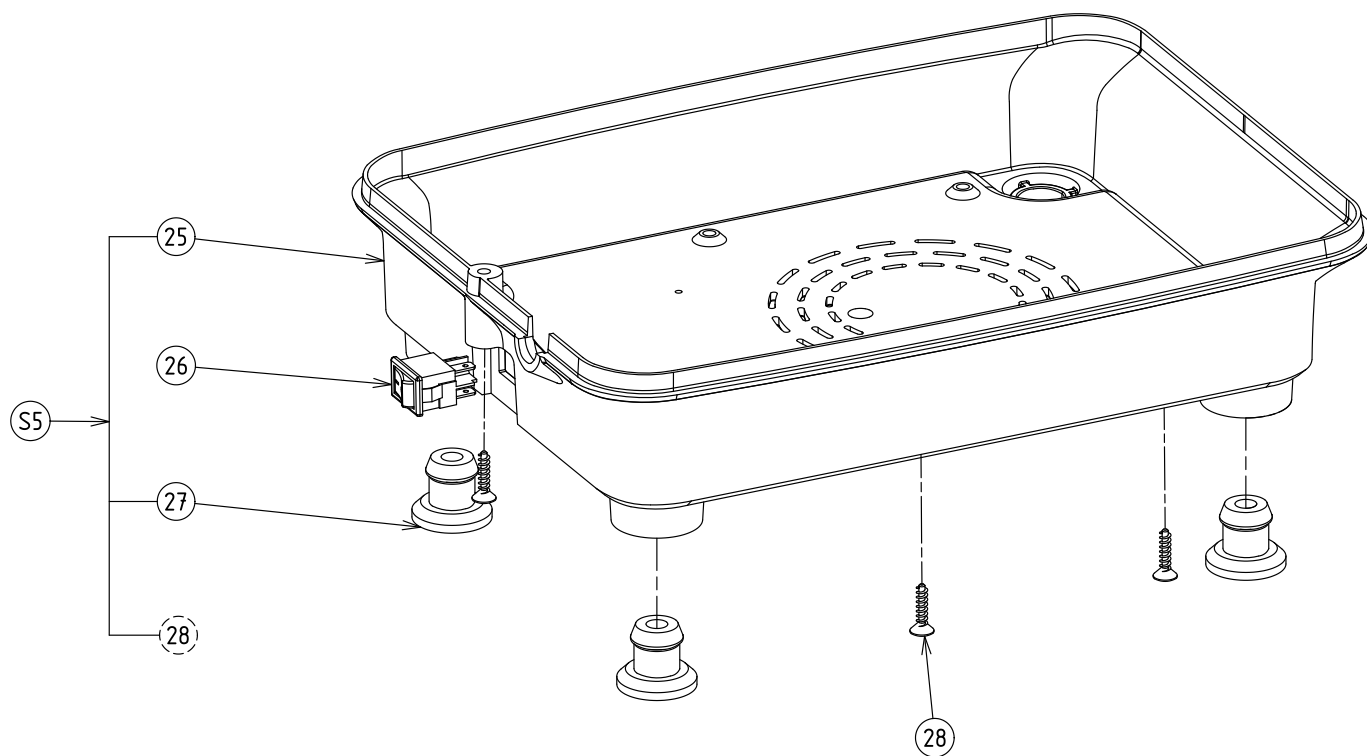
## COMBINED - SLICER - CUTTER

| Pos. | Code    | Description                         | V | W&T | Ref                     | Ser. Nr. break |
|------|---------|-------------------------------------|---|-----|-------------------------|----------------|
| 1    | voir S1 | Body                                |   |     |                         |                |
| 2    | voir S1 | Button                              |   |     |                         |                |
| 3    | 0D8097  | 1 speed label Dito Sama             |   |     | <b>A/D</b>              |                |
| 3    | 0D8099  | 1 speed label Electrolux            |   |     | <b>B/C/D/E/F</b>        |                |
| 4    | 0D8060  | 1 speed control board               |   |     | <b>D/E/F</b>            |                |
| 5    | 0D8059  | Control card support                |   |     |                         |                |
| 6    | 0D8077  | Screw torx 40x16 (set x10)          |   |     |                         |                |
| 7    | 0KQ511  | Screw TC M3x16 (set x10)            |   |     |                         |                |
| 8    | 0KQ305  | Micro switch                        |   |     |                         |                |
| 9    | 0D7383  | Nut M3 (set x 10)                   |   |     |                         |                |
| 10   | voir S3 | Micro switch support                |   |     |                         |                |
| 11   | voir S2 | Spring                              |   |     |                         |                |
| 12   | voir S2 | Safety push                         |   |     |                         |                |
| 13   | 0D8101  | O-ring 21x1.5 (set x10)             |   |     |                         |                |
|      |         |                                     |   |     |                         |                |
| S1   | 0D8061  | Body 1v Electrolux assembly         |   |     | <b>B</b>                |                |
| S1   | 0D8062  | Body 1v Dito Sama assembly          |   |     | <b>A</b>                |                |
| S1   | 0D8246  | Body 1v Elux Ral 7016 assembly      |   |     | <b>C</b>                |                |
| S2   | 0D8057  | Safety push assembly                |   |     | <b>Cutter 1V Except</b> |                |
| S3   | 0D8058  | Micro switch support assembly       |   |     | <b>Cutter 1V Except</b> |                |
| S4   | 0D8064  | Safety push ass.without microswitch |   |     | <b>Cutter 1V only</b>   |                |
|      |         |                                     |   |     |                         |                |
|      |         |                                     |   |     |                         |                |
|      |         |                                     |   |     |                         |                |
|      |         |                                     |   |     |                         |                |
|      |         |                                     |   |     |                         |                |
|      |         |                                     |   |     |                         |                |
|      |         |                                     |   |     |                         |                |
|      |         |                                     |   |     |                         |                |
|      |         |                                     |   |     |                         |                |
|      |         |                                     |   |     |                         |                |
|      |         |                                     |   |     |                         |                |
|      |         |                                     |   |     |                         |                |
|      |         |                                     |   |     |                         |                |

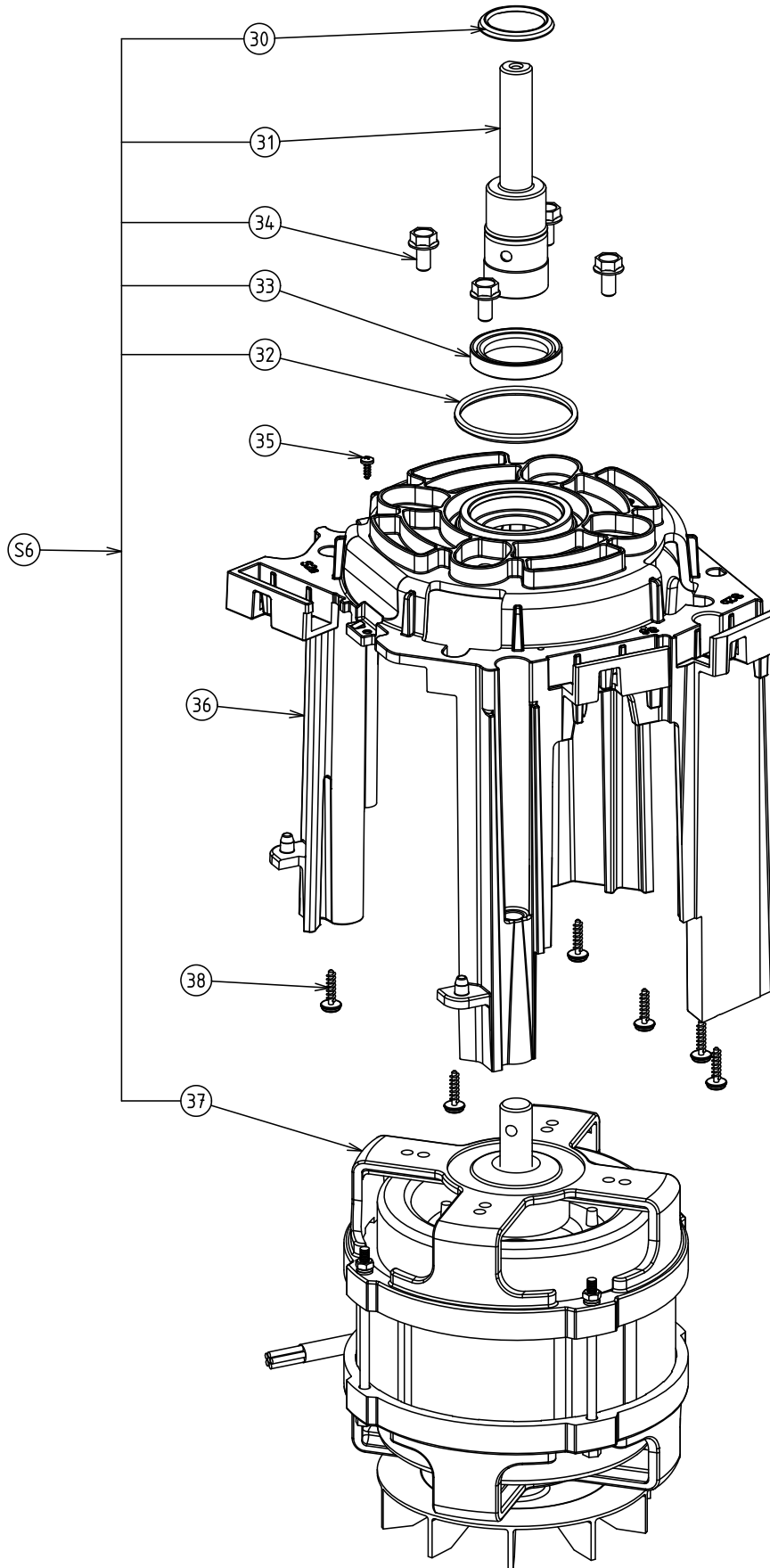


| Pos. | Code    | Description                     | V | W&T | Ref        | Ser. Nr. break |
|------|---------|---------------------------------|---|-----|------------|----------------|
| 6    | 0D8077  | Screw torx 40x16 (set x10)      |   |     |            |                |
| 7    | 0KQ511  | Screw TC M3x16 (set x10)        |   |     |            |                |
| 8    | 0KQ305  | Micro switch                    |   |     |            |                |
| 9    | 0D7383  | Nut M3 (set x 10)               |   |     |            |                |
| 10   | voir S3 | Micro switch support            |   |     |            |                |
| 11   | voir S2 | Spring                          |   |     |            |                |
| 12   | voir S2 | Safety push                     |   |     |            |                |
| 13   | 0D8101  | O-ring (set x10)                |   |     |            |                |
| 15   | voir S4 | Body                            |   |     |            |                |
| 16   | voir S4 | Bouton de commande              |   |     |            |                |
| 17   | 0D8098  | Variable speed label Dito Sama  |   |     | <b>A/G</b> |                |
| 17   | 0D8100  | Variable speed label Electrolux |   |     | <b>B/G</b> |                |
| 18   | 0D8065  | Variable speed control board    |   |     | <b>G</b>   |                |
| 19   | 0D8245  | Spacer M3x6 (set x 10)          |   |     |            |                |
| 20   | 0D8244  | Control card support            |   |     | <b>G</b>   |                |
| 21   | 0D5308  | Screw TC M3x12 (set x 10)       |   |     |            |                |
|      |         |                                 |   |     |            |                |
|      |         |                                 |   |     |            |                |
| S4   | 0D8103  | Body vv Electrolux assembly     |   |     | <b>B/G</b> |                |
| S4   | 0D8107  | Body vv Dito Sama assembly      |   |     | <b>A/G</b> |                |
| S2   | 0D8057  | Safety push assembly            |   |     |            |                |
| S3   | 0D8058  | Micro switch support assembly   |   |     |            |                |
|      |         |                                 |   |     |            |                |
|      |         |                                 |   |     |            |                |
|      |         |                                 |   |     |            |                |
|      |         |                                 |   |     |            |                |
|      |         |                                 |   |     |            |                |
|      |         |                                 |   |     |            |                |
|      |         |                                 |   |     |            |                |
|      |         |                                 |   |     |            |                |
|      |         |                                 |   |     |            |                |

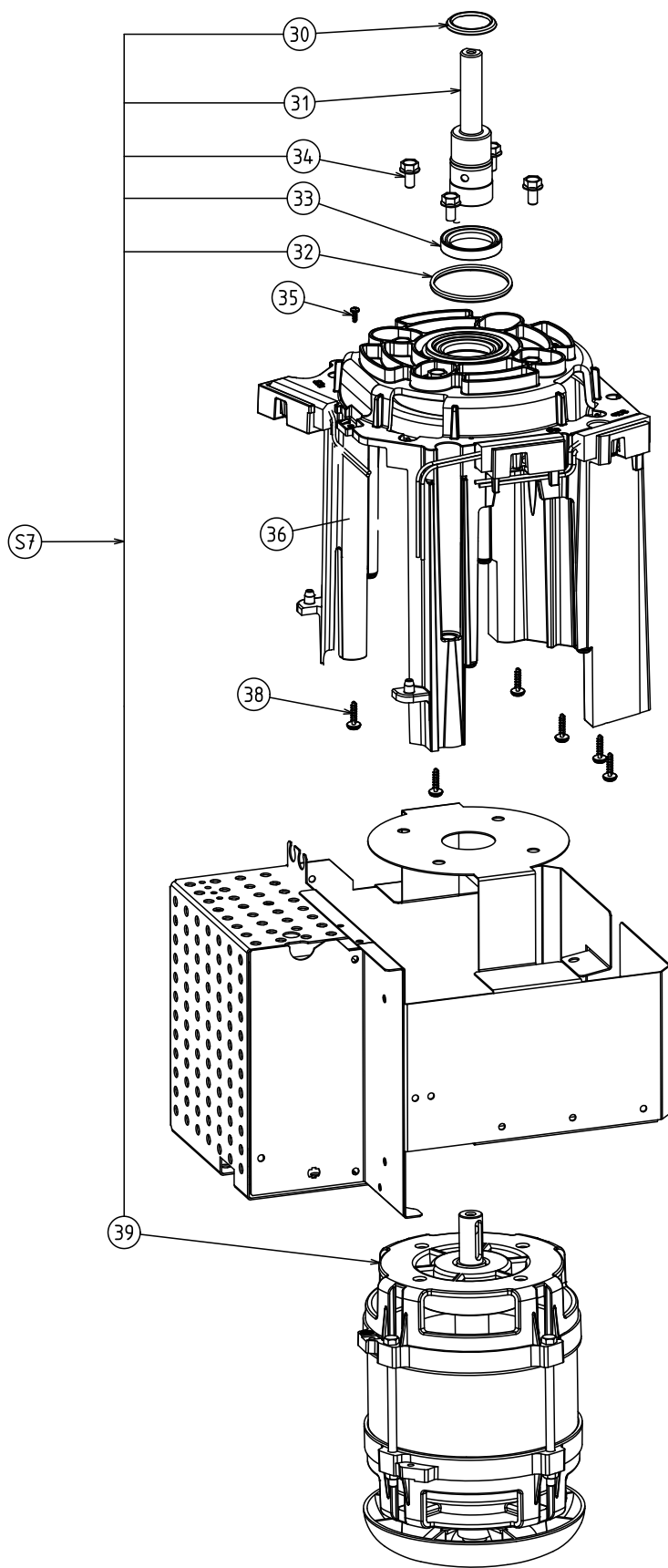




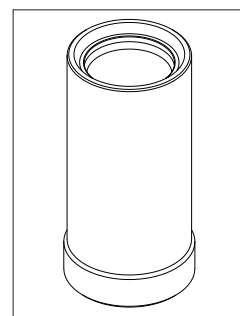




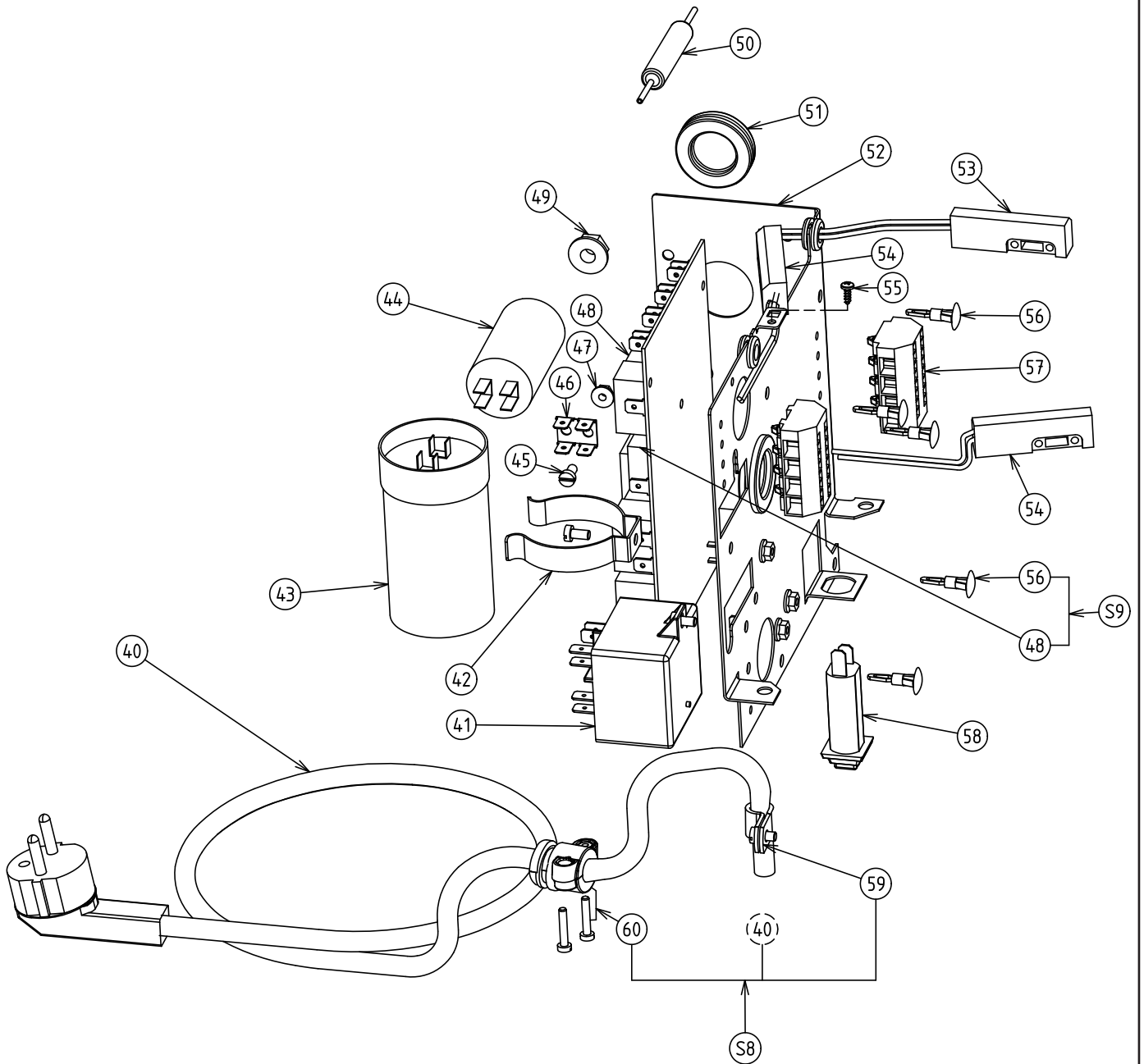
| Pos. | Code    | Description                    | V | W&T | Ref      | Ser. Nr. break |
|------|---------|--------------------------------|---|-----|----------|----------------|
| 30   | 0D5419  | Deflector                      |   |     |          |                |
| 31   | voir S6 | Shaft                          |   |     |          |                |
| 32   | 0D3578  | O-ring 47x3 (set x 5)          |   |     |          |                |
| 33   | 0D5534  | Lip seal 28x40x7 (set x 5)     |   |     |          |                |
| 34   | 0D6786  | Screw M6x12 (set x10)          |   |     |          |                |
| 35   | 0D2918  | Screw PT WN 1442 (set x10)     |   |     |          |                |
| 36   | 0D8102  | Motor / component support      |   |     |          |                |
| 37   | voir S6 | Motor                          |   |     |          |                |
| 38   | 0D8077  | Screw Torx 40x16 (set x 10)    |   |     |          |                |
| S6   | 0D8075  | Motor assembly 220-240v 5hz    |   |     | <b>D</b> |                |
| S6   | 0D8078  | Motor assembly 115v 60hz 1000w |   |     | <b>F</b> |                |
| S6   | 0D8128  | Motor assembly 115v 60hz 750w  |   |     | <b>E</b> |                |
|      | 0D8082  | Motor centring tool            |   |     |          |                |



0D8082

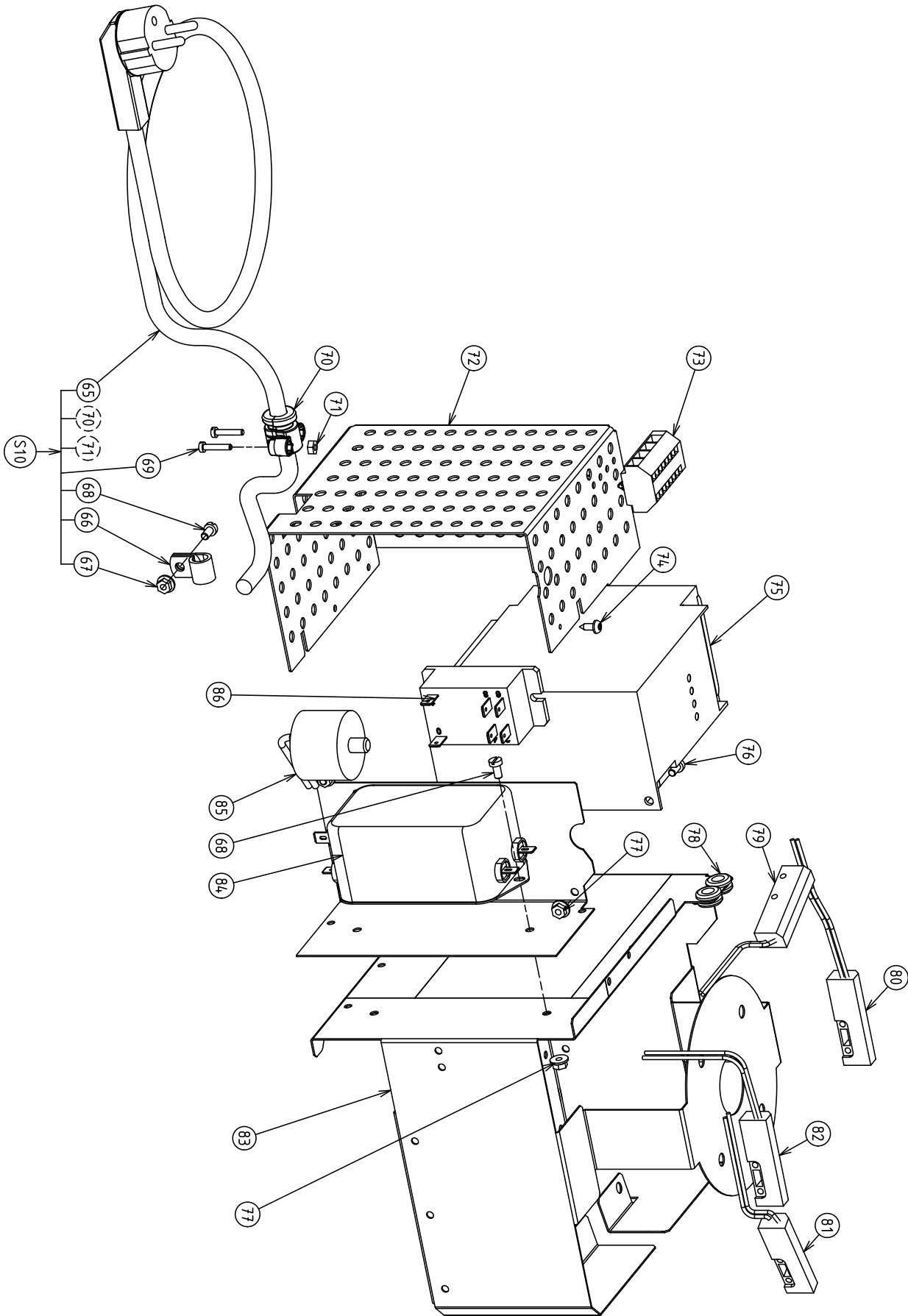


| Pos. | Code    | Description                | V | W&T | Ref      | Ser. Nr. break |
|------|---------|----------------------------|---|-----|----------|----------------|
| 30   | 0D5419  | Deflector                  |   |     |          |                |
| 31   | voir S7 | Shaft                      |   |     |          |                |
| 32   | 0D3578  | O-ring 47x3 (set x 5)      |   |     |          |                |
| 33   | 0D5534  | Lip seal 28x40x7 (set x 5) |   |     |          |                |
| 34   | 0D6786  | Screw M6x12 (set x10)      |   |     |          |                |
| 35   | 0D2918  | Screw PT WN 1442 (set x10) |   |     |          |                |
| 36   | 0D8102  | Motor / component support  |   |     |          |                |
| 39   | voir S7 | Motor                      |   |     |          |                |
| 38   | 0D8077  | Screw Torx 40x16 (set x10) |   |     |          |                |
| S7   | 0D8079  | Motor assembly 230V 50hz.  |   |     | <b>G</b> |                |
|      | 0D8082  | Motor centring tool        |   |     |          |                |

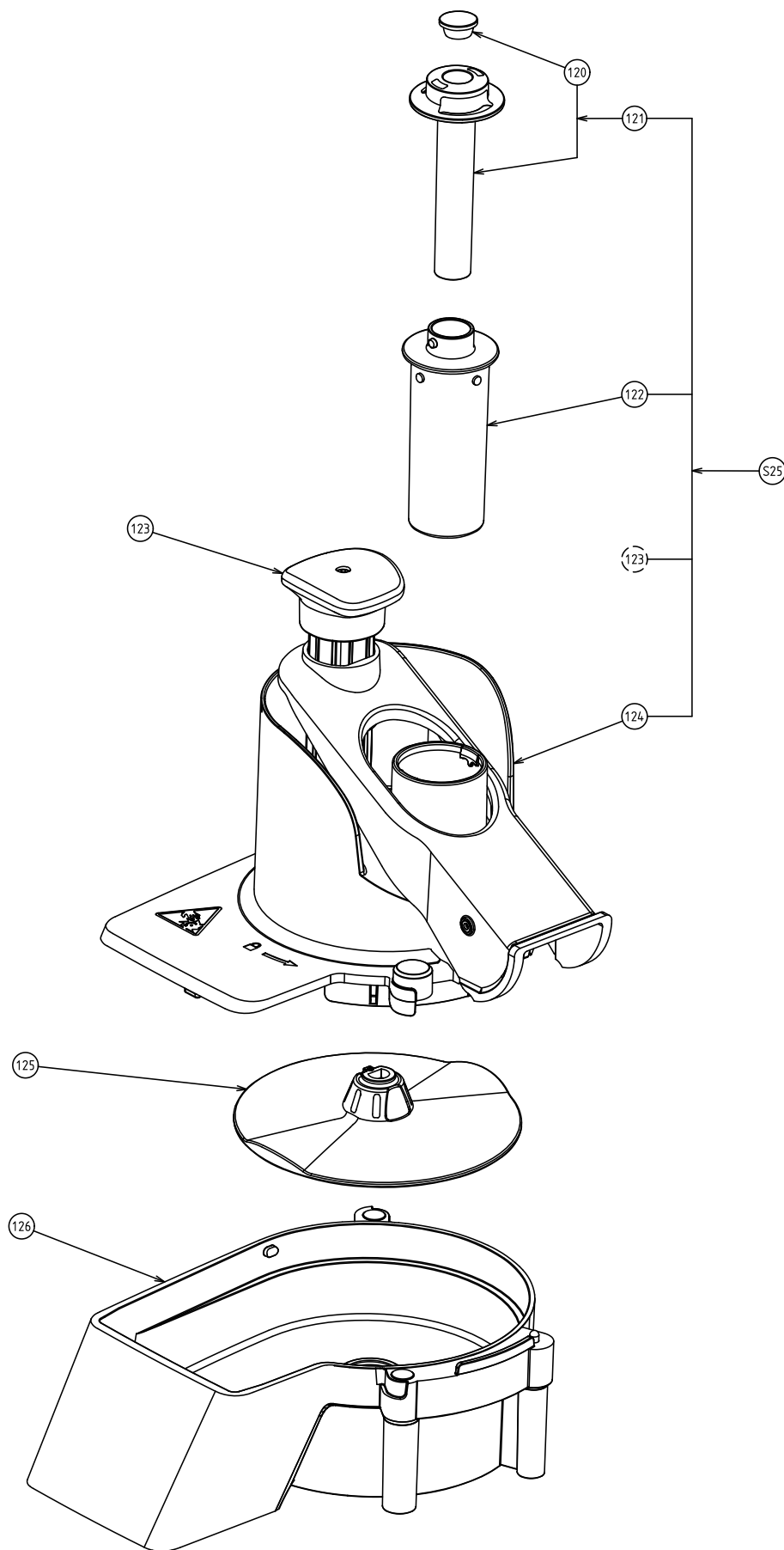


| Pos. | Code          | Description                          | V | W&T | Ref          | Ser. Nr. break |
|------|---------------|--------------------------------------|---|-----|--------------|----------------|
| 40   | voir S8       | Power supply                         |   |     |              |                |
| 41   | 0D7436        | Relais tension 230v                  |   |     | <b>D</b>     |                |
| 41   | 0D7379        | Relais tension 115v                  |   |     | <b>E/F</b>   |                |
| 42   | 0D3491        | Spring clip (set x 5)                |   |     |              |                |
| 43   | 0U0471        | Start capacitor 90mf                 |   |     | <b>D</b>     |                |
| 43   | 0D8069        | Start capacitor 216-260mf            |   |     | <b>F</b>     |                |
| 43   | 0D6731        | Start capacitor 145-174              |   |     | <b>E</b>     |                |
| 44   | 0U0403        | Running capacitor 10mf               |   |     | <b>D</b>     |                |
| 44   | 0D7389        | Running capacitor 60mf               |   |     | <b>F</b>     |                |
| 44   | 0D1465        | Runing capacitor 30mf                |   |     | <b>E</b>     |                |
| 45   | 0D0610        | Screw TC M4x8 (set x 10)             |   |     |              |                |
| 46   | 0D3567        | Brass earth cable terminal (set x 5) |   |     |              |                |
| 47   | 0D7501        | Nut M4 (set x 10)                    |   |     |              |                |
| 48   | voir S9       | Power card                           |   |     |              |                |
| 49   | 0D3590        | Nut M8 (set x 10)                    |   |     |              |                |
| 50   | 0D7401        | Resistance                           |   |     |              |                |
| 51   | <b>0D3031</b> | Grommet 21x62x2 (set x 10)           |   |     |              |                |
| 52   | <b>0D8094</b> | Component support                    |   |     |              |                |
| 53   | <b>0D8068</b> | Detector S3 assembly                 |   |     |              |                |
| 54   | <b>0D8067</b> | Detector S2a / S2b assembly          |   |     |              |                |
| 55   | <b>0D2918</b> | Screw (set x 10)                     |   |     |              |                |
| 56   | <b>0D2848</b> | Spacer (set x 5)                     |   |     |              |                |
| 57   | <b>0D5135</b> | Terminal bar (set x 5)               |   |     |              |                |
| 58   | <b>0D8096</b> | Breaker 5a                           |   |     | <b>D</b>     |                |
| 58   | <b>0D7187</b> | Breaker 16a                          |   |     | <b>E/F</b>   |                |
| 59   | <b>0D7969</b> | Tie NE5 (set x 10)                   |   |     |              |                |
| 60   | Voir S8       | Grommet                              |   |     |              |                |
|      |               |                                      |   |     |              |                |
| S8   | 0D8066        | Power supply 230v assembly           |   |     | <b>D</b>     |                |
| S8   | 0D8070        | Power supply 115v assembly           |   |     | <b>E/F</b>   |                |
| S8   | 0D8074        | Power supply 230v UK                 |   |     | <b>D</b>     |                |
| S8   | 0D0876        | Power supply 230v AUS                |   |     | <b>D</b>     |                |
|      |               |                                      |   |     |              |                |
| S9   | 0KQ429        | Single phase power card assembly     |   |     | <b>D/E/F</b> |                |
|      |               |                                      |   |     |              |                |

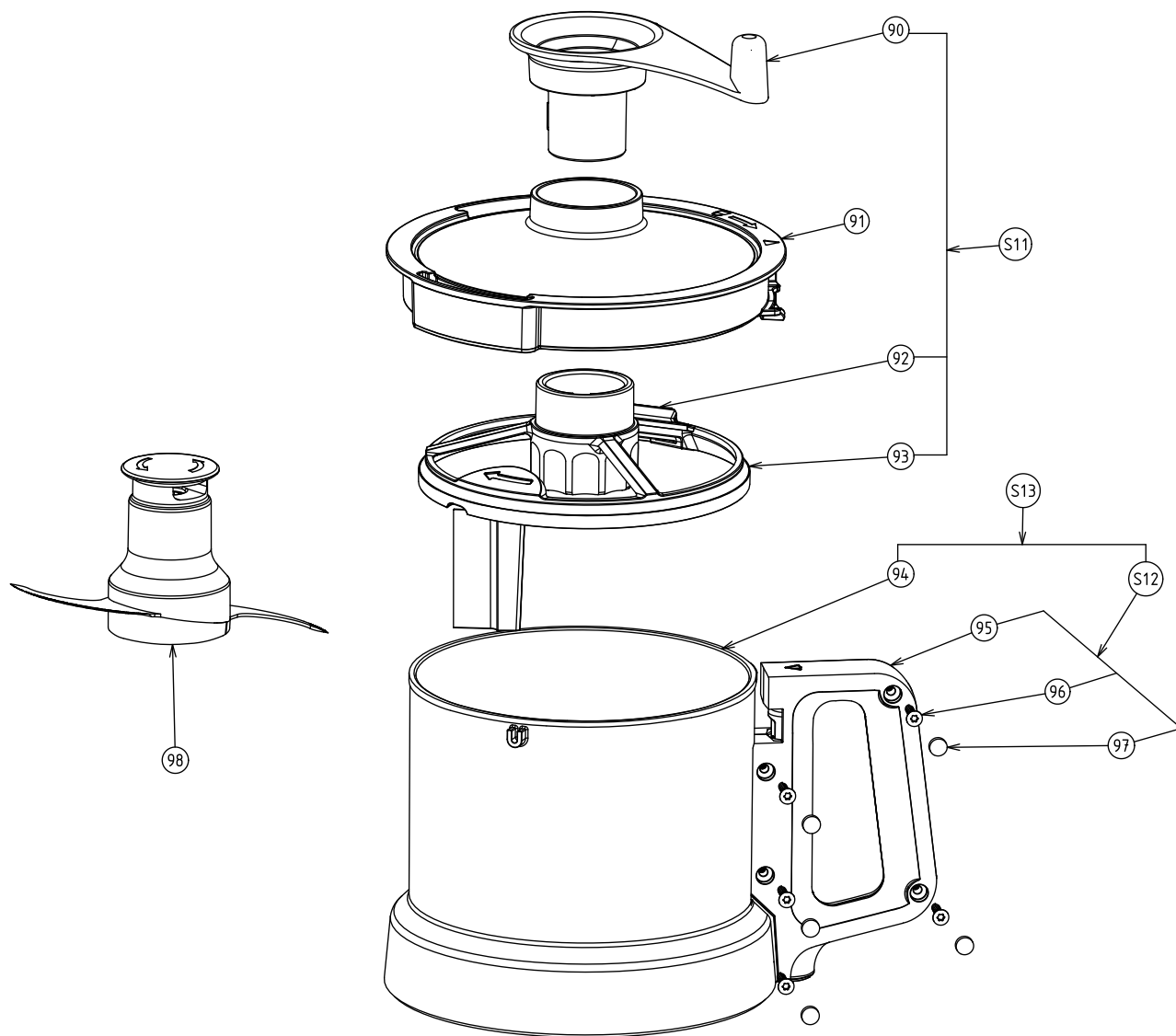




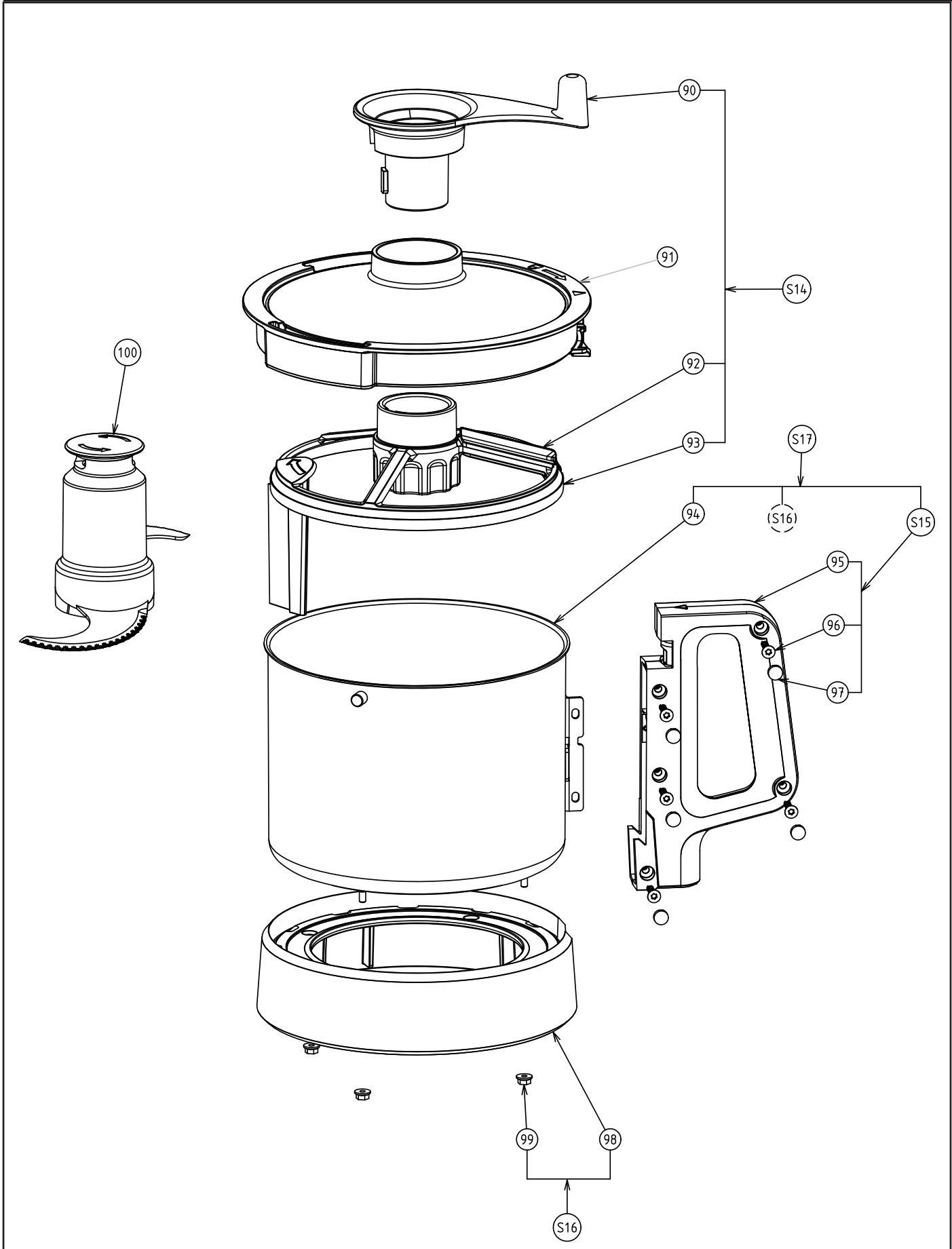
| Pos. | Code     | Description               | V | W&T | Ref      | Ser. Nr. break |
|------|----------|---------------------------|---|-----|----------|----------------|
| 65   | voir S10 | Power supply              |   |     |          |                |
| 66   | 0D7969   | Tie NE5 (set x 10)        |   |     |          |                |
| 68   | 0D0610   | Screw TC M4x8 (set x 10)  |   |     |          |                |
| 67   | 0D7501   | Nut M4 (set x 10)         |   |     |          |                |
| 69   | 0KQ511   | Screw M3x16 (set x 10)    |   |     |          |                |
| 70   | Voir S10 | Grommet                   |   |     |          |                |
| 71   | 033987   | Nut M3 (set x10)          |   |     |          |                |
| 72   | 0D8088   | Grid assembly             |   |     |          |                |
| 73   | 0D5135   | Terminal bar (set x 5)    |   |     |          |                |
| 74   | 0D2918   | Screw (set x 10)          |   |     |          |                |
| 75   | 0D0871   | Speed inverter programmed |   |     | <b>G</b> |                |
| 76   | 0D0611   | Screw TC M4x12 (set x 10) |   |     |          |                |
| 77   | 0D7501   | Nut M4 (set x 10)         |   |     |          |                |
| 78   | 0D3410   | Grommet (set x 4)         |   |     |          |                |
| 79   | 0D8249   | Detector S2a assembly     |   |     |          |                |
| 80   | 0D8251   | Detector S3 assembly      |   |     |          |                |
| 81   | 0D8250   | Detector S2b assembly     |   |     |          |                |
| 82   | 0D8252   | Detector S6 assembly      |   |     |          |                |
| 83   | 0D8073   | Composant support         |   |     |          |                |
| 84   | 0D8247   | Filter CEM 10A            |   |     |          |                |
| 68   | 0D0610   | Screw TC M4x8 (set x 10)  |   |     |          |                |
| 77   | 0D7501   | Nut M4 (set x 10)         |   |     |          |                |
| 85   | 0D8248   | Inductance                |   |     |          |                |
| 86   | 0D8095   | Relay 230V 25A            |   |     |          |                |
|      |          |                           |   |     |          |                |
| S10  | 0D8072   | Power supply STD assembly |   |     | <b>G</b> |                |
| S10  | 0D8253   | Power supply UK assembly  |   |     | <b>G</b> |                |
|      |          |                           |   |     |          |                |
|      |          |                           |   |     |          |                |



| <b>Pos.</b> | <b>Code</b> | <b>Description</b>                   | <b>V</b> | <b>W&amp;T</b> | <b>Ref</b> | <b>Ser. Nr. break</b> |
|-------------|-------------|--------------------------------------|----------|----------------|------------|-----------------------|
| 120         | 0D5958      | Plug ( set x 4)                      |          |                | H          |                       |
| 121         | 0D8086      | Extra small pusher ass.              |          |                | H          |                       |
| 122         | 0D8085      | Round Pusher                         |          |                | H          |                       |
| 123         | 0D8104      | Pusher ass.                          |          |                | H          |                       |
| 124         | voir S25    | Half moon hopper                     |          |                | H          |                       |
| 125         | 0D8081      | Ejector                              |          |                | H          |                       |
| 126         | 0D8080      | Cutting chamber                      |          |                | H          |                       |
| S25         | 0D8084      | Half moon hopper / Pusher lever ass. |          |                | H          |                       |
|             |             |                                      |          |                |            |                       |
|             |             |                                      |          |                |            |                       |
|             |             |                                      |          |                |            |                       |
|             |             |                                      |          |                |            |                       |
|             |             |                                      |          |                |            |                       |
|             |             |                                      |          |                |            |                       |
|             |             |                                      |          |                |            |                       |
|             |             |                                      |          |                |            |                       |
|             |             |                                      |          |                |            |                       |
|             |             |                                      |          |                |            |                       |
|             |             |                                      |          |                |            |                       |
|             |             |                                      |          |                |            |                       |
|             |             |                                      |          |                |            |                       |
|             |             |                                      |          |                |            |                       |
|             |             |                                      |          |                |            |                       |
|             |             |                                      |          |                |            |                       |
|             |             |                                      |          |                |            |                       |
|             |             |                                      |          |                |            |                       |
|             |             |                                      |          |                |            |                       |
|             |             |                                      |          |                |            |                       |
|             |             |                                      |          |                |            |                       |
|             |             |                                      |          |                |            |                       |
|             |             |                                      |          |                |            |                       |
|             |             |                                      |          |                |            |                       |
|             |             |                                      |          |                |            |                       |
|             |             |                                      |          |                |            |                       |
|             |             |                                      |          |                |            |                       |
|             |             |                                      |          |                |            |                       |
|             |             |                                      |          |                |            |                       |
|             |             |                                      |          |                |            |                       |
|             |             |                                      |          |                |            |                       |
|             |             |                                      |          |                |            |                       |
|             |             |                                      |          |                |            |                       |
|             |             |                                      |          |                |            |                       |
|             |             |                                      |          |                |            |                       |
|             |             |                                      |          |                |            |                       |
|             |             |                                      |          |                |            |                       |
|             |             |                                      |          |                |            |                       |
|             |             |                                      |          |                |            |                       |
|             |             |                                      |          |                |            |                       |
|             |             |                                      |          |                |            |                       |
|             |             |                                      |          |                |            |                       |



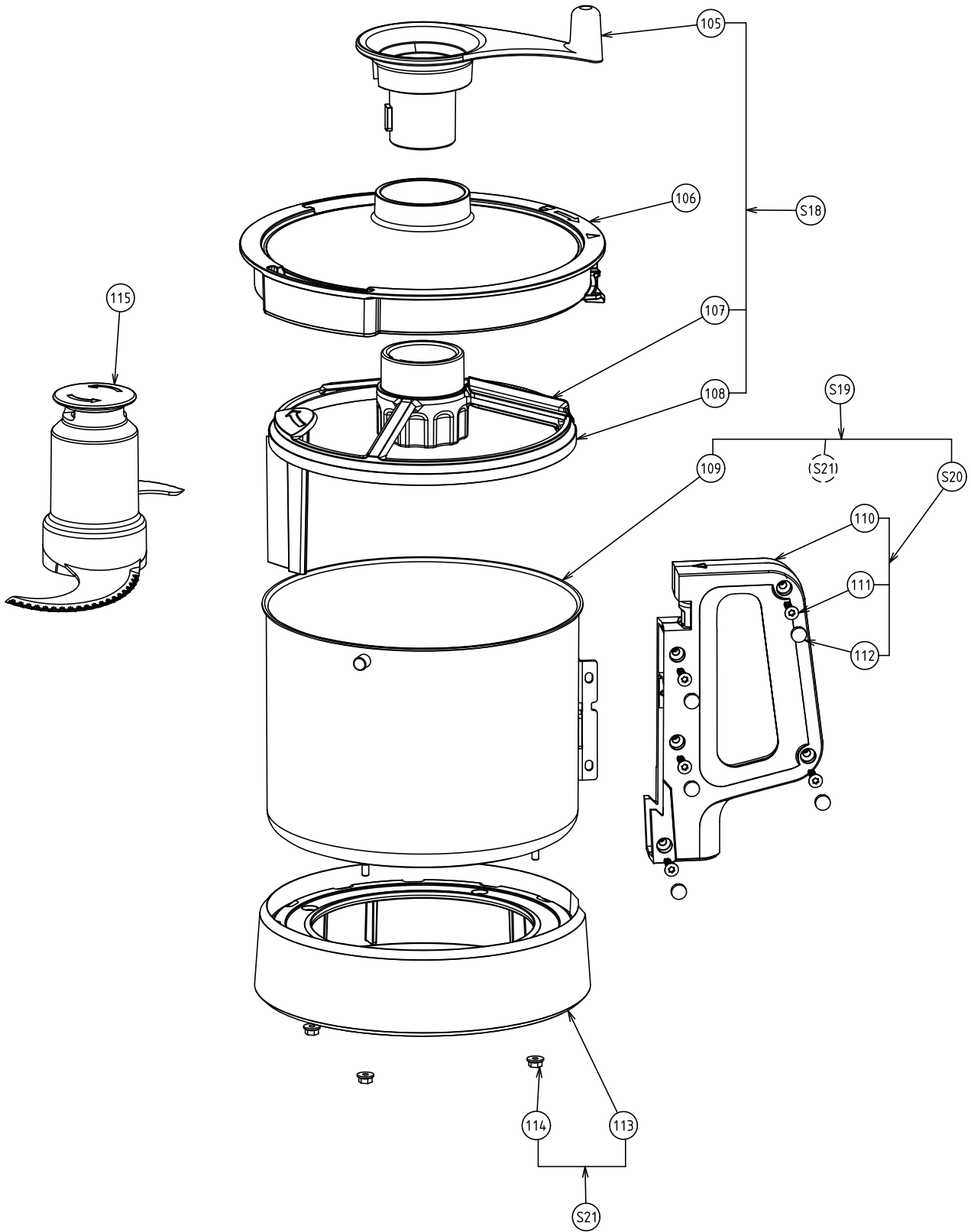
| Pos. | Code     | Description                     | V | W&T | Ref   | Ser. Nr. break |
|------|----------|---------------------------------|---|-----|-------|----------------|
| 90   | 0D5436   | Handle                          |   |     | I/J/K |                |
| 91   | 650117   | Lid                             |   |     | I/J   |                |
| 92   | voir S11 | Lid scraper                     |   |     | I/J   |                |
| 93   | voir S11 | Bowl scraper                    |   |     | I/J   |                |
| 94   | voir S13 | Bowl                            |   |     | I     |                |
| 95   | voir S12 | Bowl handle                     |   |     | I/J   |                |
| 96   | 0D8105   | Screw bowl handle (set x 5)     |   |     | I/J   |                |
| 97   | 0D8106   | Plug bowl handle (set x 5)      |   |     | I/J   |                |
| 98   | 650226   | Microtoothed blades Rotor 2.6lt |   |     | I/J   |                |
| 98   | 650227   | Smooth blades rotor 2.6lt       |   |     | I/J   |                |
|      |          |                                 |   |     |       |                |
| S11  | 650230   | Scraper assembly                |   |     | I/J   |                |
| S12  | 0D8093   | Bowl handle assembly            |   |     | I/J   |                |
| S13  | 650229   | Bowl assembly                   |   |     | I     |                |
|      |          |                                 |   |     |       |                |
|      |          |                                 |   |     |       |                |
|      |          |                                 |   |     |       |                |
|      |          |                                 |   |     |       |                |
|      |          |                                 |   |     |       |                |
|      |          |                                 |   |     |       |                |
|      |          |                                 |   |     |       |                |
|      |          |                                 |   |     |       |                |
|      |          |                                 |   |     |       |                |
|      |          |                                 |   |     |       |                |
|      |          |                                 |   |     |       |                |
|      |          |                                 |   |     |       |                |
|      |          |                                 |   |     |       |                |
|      |          |                                 |   |     |       |                |
|      |          |                                 |   |     |       |                |
|      |          |                                 |   |     |       |                |
|      |          |                                 |   |     |       |                |
|      |          |                                 |   |     |       |                |
|      |          |                                 |   |     |       |                |
|      |          |                                 |   |     |       |                |
|      |          |                                 |   |     |       |                |



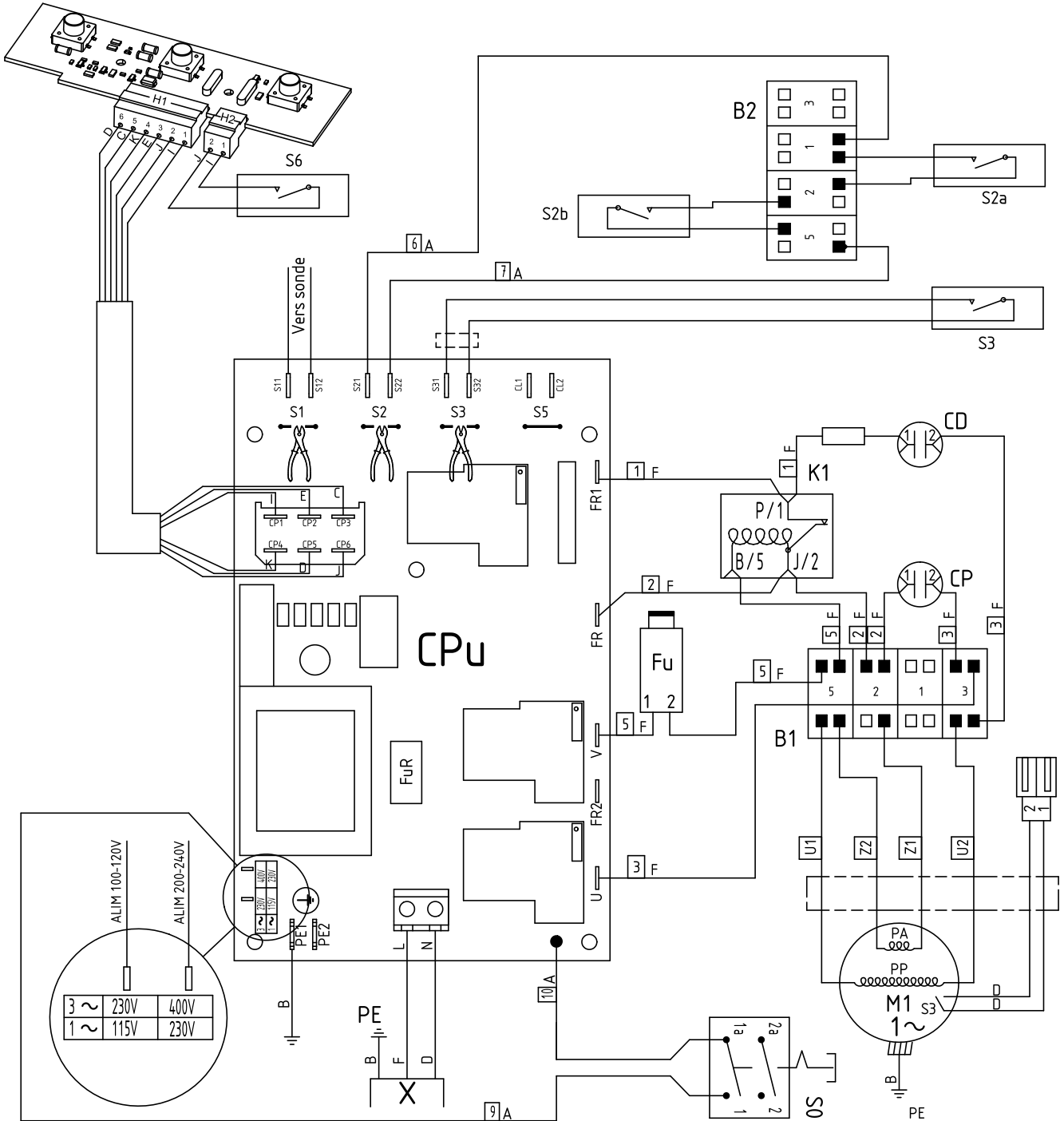
| Pos. | Code     | Description                     | V | W&T | Ref   | Ser. Nr. break |
|------|----------|---------------------------------|---|-----|-------|----------------|
| 90   | 0D5436   | Handle                          |   |     | I/J/K |                |
| 91   | 650117   | Lid                             |   |     | I/J   |                |
| 92   | voir S14 | Lid scraper                     |   |     | I/J   |                |
| 93   | voir S14 | Bowl scraper                    |   |     | I/J   |                |
| 94   | voir S17 | Bowl                            |   |     | J     |                |
| 95   | voir S15 | Bowl handle                     |   |     | I/J   |                |
| 96   | 0D8105   | Screw bowl handle (set x 5)     |   |     | I/J/K |                |
| 97   | 0D8106   | Plug bowl handle (set x 5)      |   |     | I/J/K |                |
| 98   | voir S16 | Bowl base                       |   |     | J     |                |
| 99   | 0D7990   | Nut M4 (set x 10)               |   |     | J/K   |                |
| 100  | 650226   | Microtoothed blades Rotor 2.6lt |   |     | I/J   |                |
| 100  | 650227   | Smooth blades rotor 2.6lt       |   |     | I/J   |                |
|      |          |                                 |   |     |       |                |
| S14  | 650230   | Scraper assembly                |   |     | I/J   |                |
| S15  | 0D8093   | Bowl handle assembly            |   |     | I/J   |                |
| S16  | 0D8092   | Bowl base assembly              |   |     | J     |                |
| S17  | 650228   | Bowl assembly                   |   |     | J     |                |
|      |          |                                 |   |     |       |                |
|      |          |                                 |   |     |       |                |
|      |          |                                 |   |     |       |                |
|      |          |                                 |   |     |       |                |
|      |          |                                 |   |     |       |                |
|      |          |                                 |   |     |       |                |
|      |          |                                 |   |     |       |                |
|      |          |                                 |   |     |       |                |
|      |          |                                 |   |     |       |                |
|      |          |                                 |   |     |       |                |
|      |          |                                 |   |     |       |                |
|      |          |                                 |   |     |       |                |
|      |          |                                 |   |     |       |                |
|      |          |                                 |   |     |       |                |
|      |          |                                 |   |     |       |                |
|      |          |                                 |   |     |       |                |
|      |          |                                 |   |     |       |                |

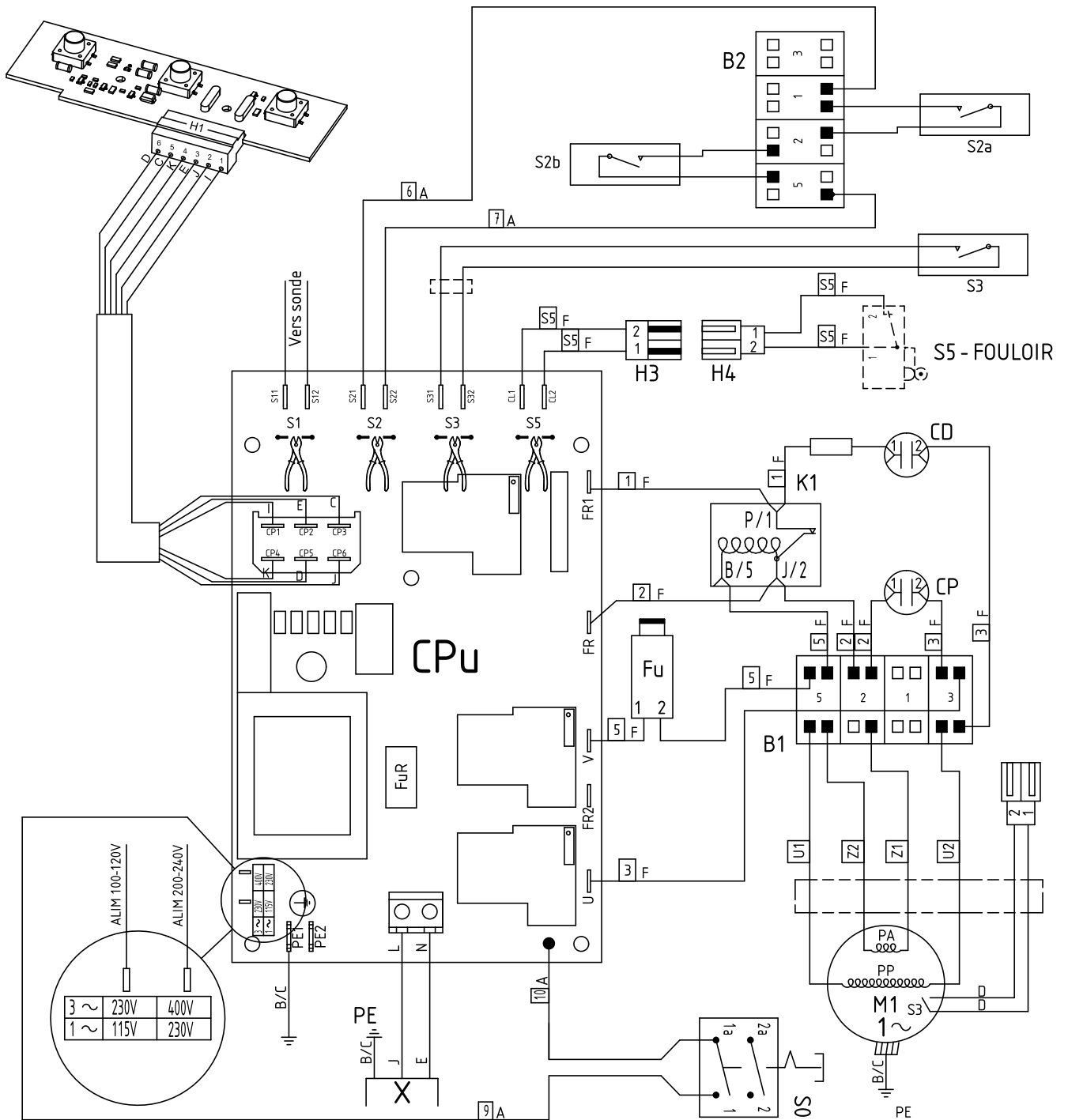


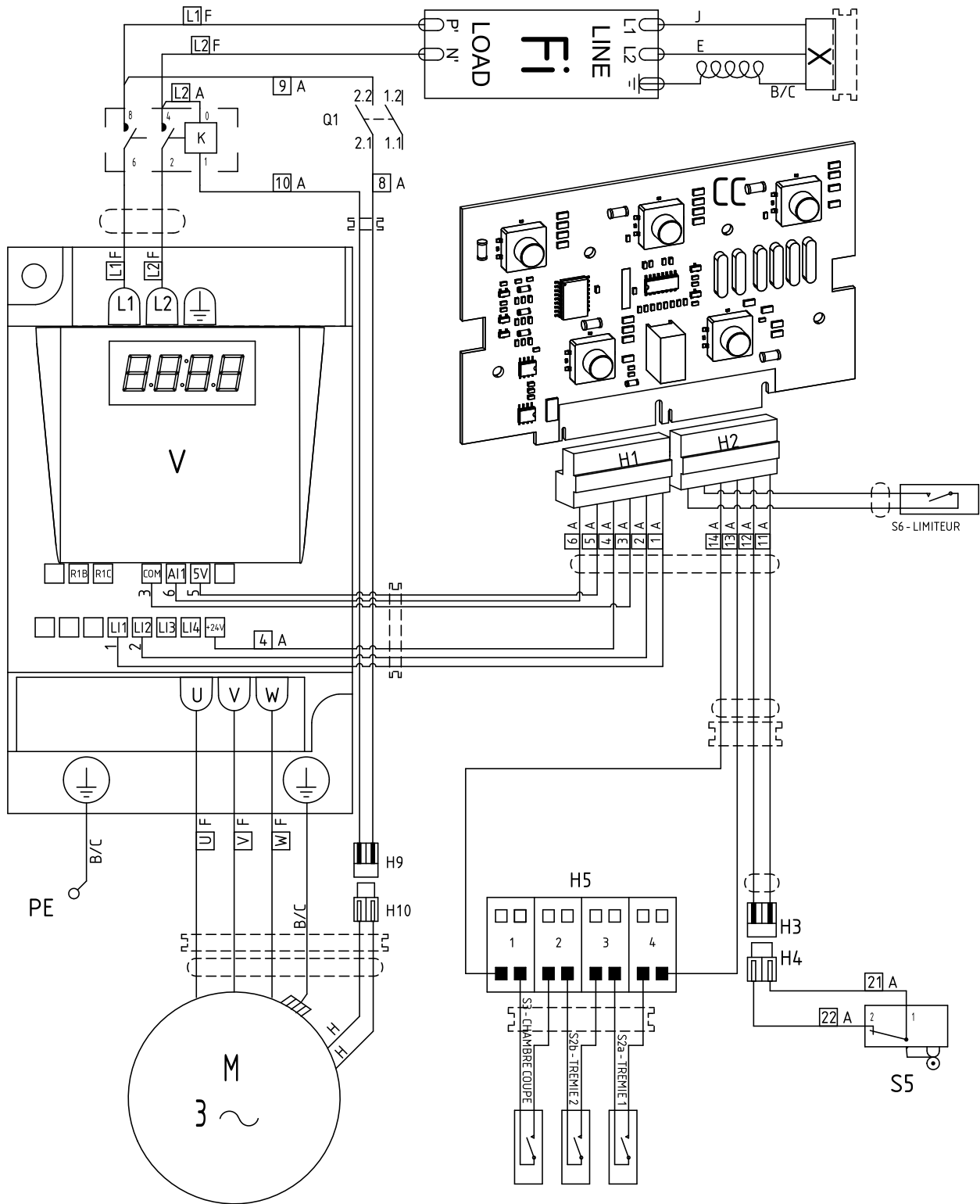
BOL 3.6L



| <b>Pos.</b> | <b>Code</b>   | <b>Description</b>              | <b>V</b> | <b>W&amp;T</b> | <b>Ref</b>   | <b>Ser. Nr. break</b> |
|-------------|---------------|---------------------------------|----------|----------------|--------------|-----------------------|
| 105         | 0D5436        | Handle                          |          |                | <b>I/J/K</b> |                       |
| 106         | 650118        | Lid                             |          |                | <b>K</b>     |                       |
| 107         | voir S18      | Lid scraper                     |          |                | <b>K</b>     |                       |
| 108         | voir S18      | Bowl scraper                    |          |                | <b>K</b>     |                       |
| 109         | voir S19      | Bowl                            |          |                | <b>K</b>     |                       |
| 110         | voir S20      | Bowl handle                     |          |                | <b>K</b>     |                       |
| 111         | 0D8105        | Screw bowl handle (set x 5)     |          |                | <b>I/J/K</b> |                       |
| 112         | 0D8106        | Plug bowl handle (set x 5)      |          |                | <b>I/J/K</b> |                       |
| 113         | voir S21      | Bowl base                       |          |                | <b>K</b>     |                       |
| 114         | 0D7990        | Nut M4 (set x 10)               |          |                | <b>J/K</b>   |                       |
| 115         | 650233        | Microtoothed blades Rotor 3.6lt |          |                | <b>K</b>     |                       |
| 115         | 650234        | Smooth blades Rotor 3.6lt       |          |                | <b>K</b>     |                       |
|             |               |                                 |          |                |              |                       |
| S18         | 650236        | Scraper assembly                |          |                | <b>K</b>     |                       |
| S20         | 0D8089        | Bowl handle assembly            |          |                | <b>K</b>     |                       |
| S21         | <b>0D8087</b> | Bowl base assembly              |          |                | <b>K</b>     |                       |
| S19         | <b>650235</b> | Bowl assembly                   |          |                | <b>K</b>     |                       |
|             |               |                                 |          |                |              |                       |
|             |               |                                 |          |                |              |                       |
|             |               |                                 |          |                |              |                       |
|             |               |                                 |          |                |              |                       |
|             |               |                                 |          |                |              |                       |
|             |               |                                 |          |                |              |                       |
|             |               |                                 |          |                |              |                       |
|             |               |                                 |          |                |              |                       |
|             |               |                                 |          |                |              |                       |
|             |               |                                 |          |                |              |                       |
|             |               |                                 |          |                |              |                       |
|             |               |                                 |          |                |              |                       |
|             |               |                                 |          |                |              |                       |
|             |               |                                 |          |                |              |                       |
|             |               |                                 |          |                |              |                       |
|             |               |                                 |          |                |              |                       |
|             |               |                                 |          |                |              |                       |







Electrolux Professional SAS  
Z.I. du Mont  
23200 AUBUSSON FRANCE